

NEW

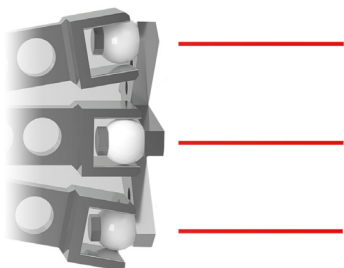
VALVE TURNING ARM KIT

Design changes have been made to the valve turning arm to improve performance and reduce wear on the wheel. The new geometry of the arm now includes an angle that allows for better rolling and less sliding.

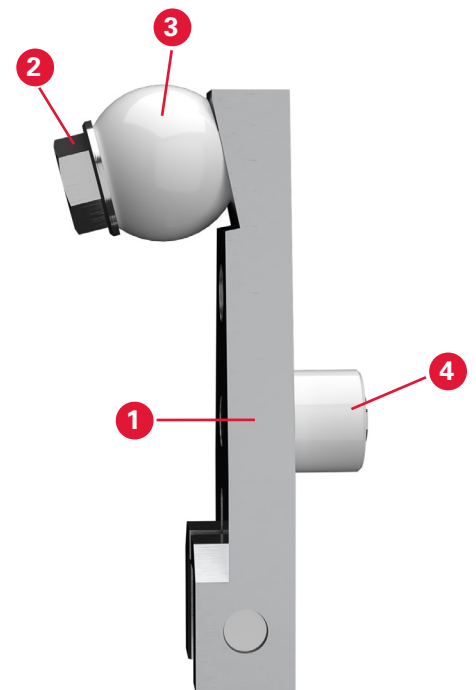
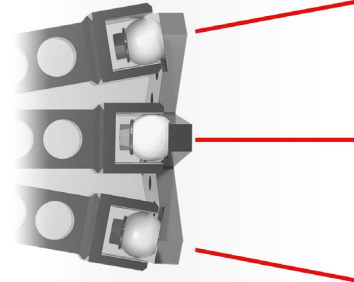
The new kit consists of the following parts and materials

1	Arm GA-50740-xx	(EN 1.4404)
2	Screw GA-76476-4 (superseeds GA-76476)	(EN 1.4301)
3	Wheel GA-50356-x	(Sustarin C FG)
4	Roller GA-50742	(Delrin)

Old geometry



New geometry



The following changes have been made to the product line:

- GA-50740-7 has been replaced by GAF-2111.36 or GAF-2111.37 (depending on ball diameter)
- GA-50740-12 has been replaced by GAF-2111.36TK or GAF-2111.37TK (depending on ball diameter)
- GA-76746 has been replaced by GA-76476-4

If you have any questions or concerns, please contact our customer service team for assistance.

NORDEN MACHINERY AB

P O Box 845, SE-391 28 Kalmar, Sweden
Tel. +46 (0)480 44 76 00 | customer.service@nordenmachinery.se
www.nordenmachinery.com

