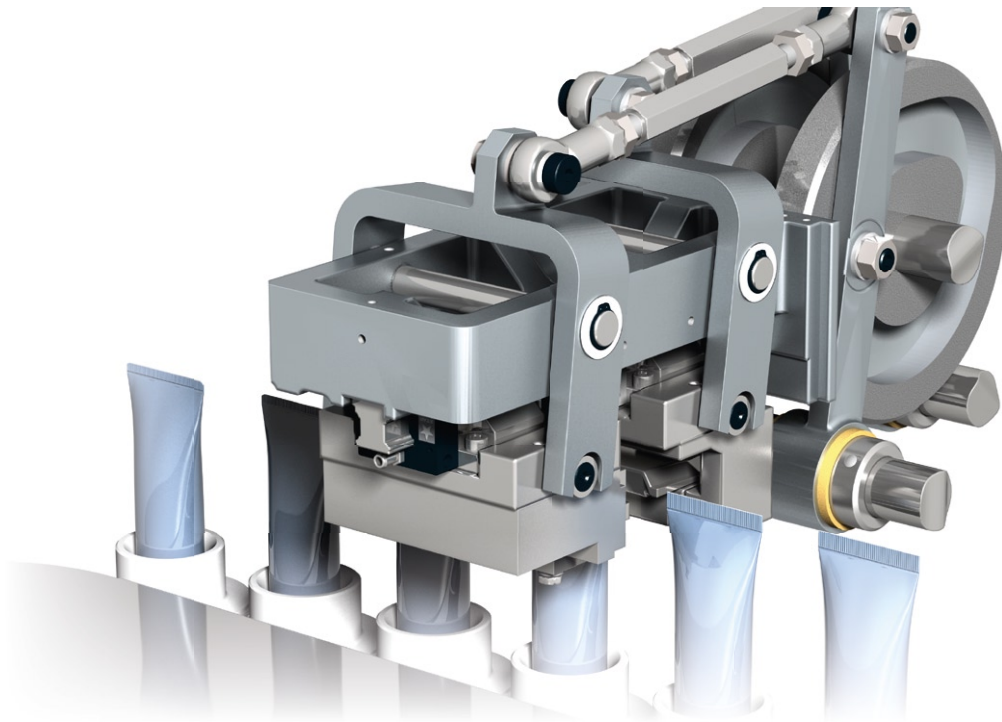


LINEAR TRIMMING STATION UNIT



a coesia company



Look sharp at all times

Our Linear Trimming Station Unit replaces the rotary knife trim and upgrades your machinery with premium parts. It provides perfect cuts for plastic and laminate sealed tubes when using Hot Air or High-Frequency Sealing. It also makes it possible to take your tube design to a whole new level, as it is a requirement if you want to use Design-A-Seal[®], corner trimming or wide seals to make your products pop out on store shelves.

BENEFITS

- Heavy-duty; excellent reliability
- Provides power for perfect cuts
- Knives stay sharp
- Reduces maintenance stops

Get **more**
out of **tubes**

Linear Trimming Station Unit

Benefits your production, benefits your business

Our Linear Trimming Station Unit is a heavy-duty, efficient solution. The spring-loaded, self-adjusting knives are constantly resharpener in the process, which extends the unit's lifespan, keeping cuts sharp and precise for a longer time. Decreased maintenance stops, of course, also mean greater production output, and lower costs.

Besides production benefits, with the Linear Trimming Station Unit your machine has the necessary equipment for creating aesthetic tubes with the elegant and sharp trim that appeals to customers of today.

A comprehensive unit

In a linear station the cut of the tube tail is achieved by two linear cam-operated trimming knives. These standard blades are made of hardened steel and work against each other. They are matched with high tolerance and should never be separated.

The unit includes:

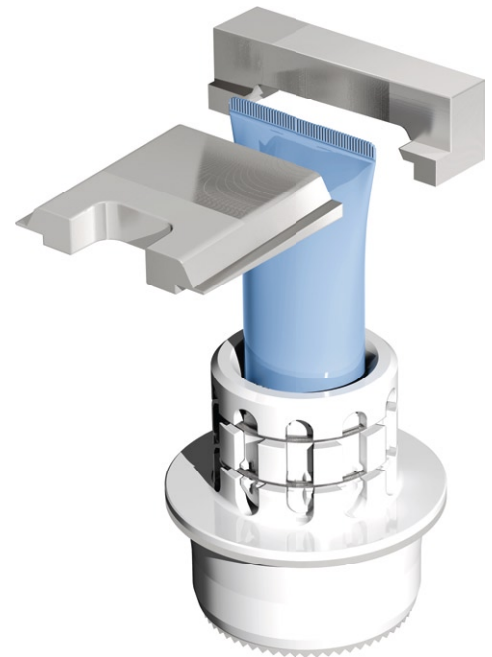
- Linear trimming station
- Fixed knives or self-adjustable knives

Our Linear Trimming Station Unit has been tried, tested and approved by Norden for performance and quality. When installed, it is integrated to work in unison with the other functions of the machine.

With you for the long run

Norden is committed to providing evolving functionality of your filling systems. Through our quick hardware supply, reliable service and maintenance, and extensive global reach and local presence, we can constantly enhance your productivity according to your needs.

nordenmachinery.com



NORDEN MACHINERY AB

P O Box 845, SE-391 28 Kalmar, Sweden
Phone: +46 (0) 480 44 77 00 | sales@nordenmachinery.se
www.nordenmachinery.com

